

SAFETY ALERT

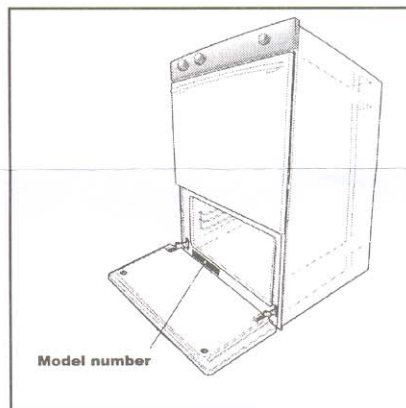
GAS WALL OVEN WITH SEPARATE GRILL

Models: Chef: GXC 611, GXC 641, GXC 651
(all variations, from Aug 2001 to 2002)

Westinghouse: GWH 538, GWH 540, GWH 540, GWH 645, GWH 745
(all variations, from Oct 1998 to 2002)

An incorrectly installed gas wall oven with separate grill compartment recently caused a serious fire in a 2 year old two-storey home. The Office of Gas Safety believes other installations using the above models may have the same fault.

- The installation instructions state a flue pipe must be fitted.
- The oven was installed without the required flue pipe and there was a timber stud across the flue spigot.
- It is vital that any other defective installations be urgently corrected, to avoid house fires and possible loss of life.
- Flue gases exit the oven at up to 200°C. This temperature will cause timber to thermally decompose (pyrolysis) and eventually catch fire. This may happen at any time.



If you have installed any of the above models within the period shown you must be sure it was flued and terminated in accordance with AS5601/AG601 and the manufacturer's instructions. Correct installation in a two-storey house is difficult if not impossible. Microwave enclosures requires special arrangements. The flue must terminate at least into the kitchen or roof space, or preferably through to atmosphere.

The Office of Gas Safety is working with gas industry parties on location and correction of all defective installations in Victoria.

The Office of Gas Safety has decided that correcting any fault is more important than taking action against the installer. But where the installer should have corrected their faulty work as a result of this notice and did not, prosecution action may occur.

If you have installed (or think you may have installed) one of these ovens without a flue, you must have it checked. If you cannot arrange this you should supply details to the Office of Gas Safety using the fax overleaf, or call 1800 652 563. The Office will then arrange to check the installation.

Please do not ignore this safety alert. It might take years for a fire to occur, but the installer could be held responsible for serious damage or even death. You and your family would not want to pay that price. The Office of Gas Safety is working WITH you to resolve this situation.

Ken Gardner
Director



PLUMBING
INDUSTRY
COMMISSION

